

4

3

2

1

D

D

C

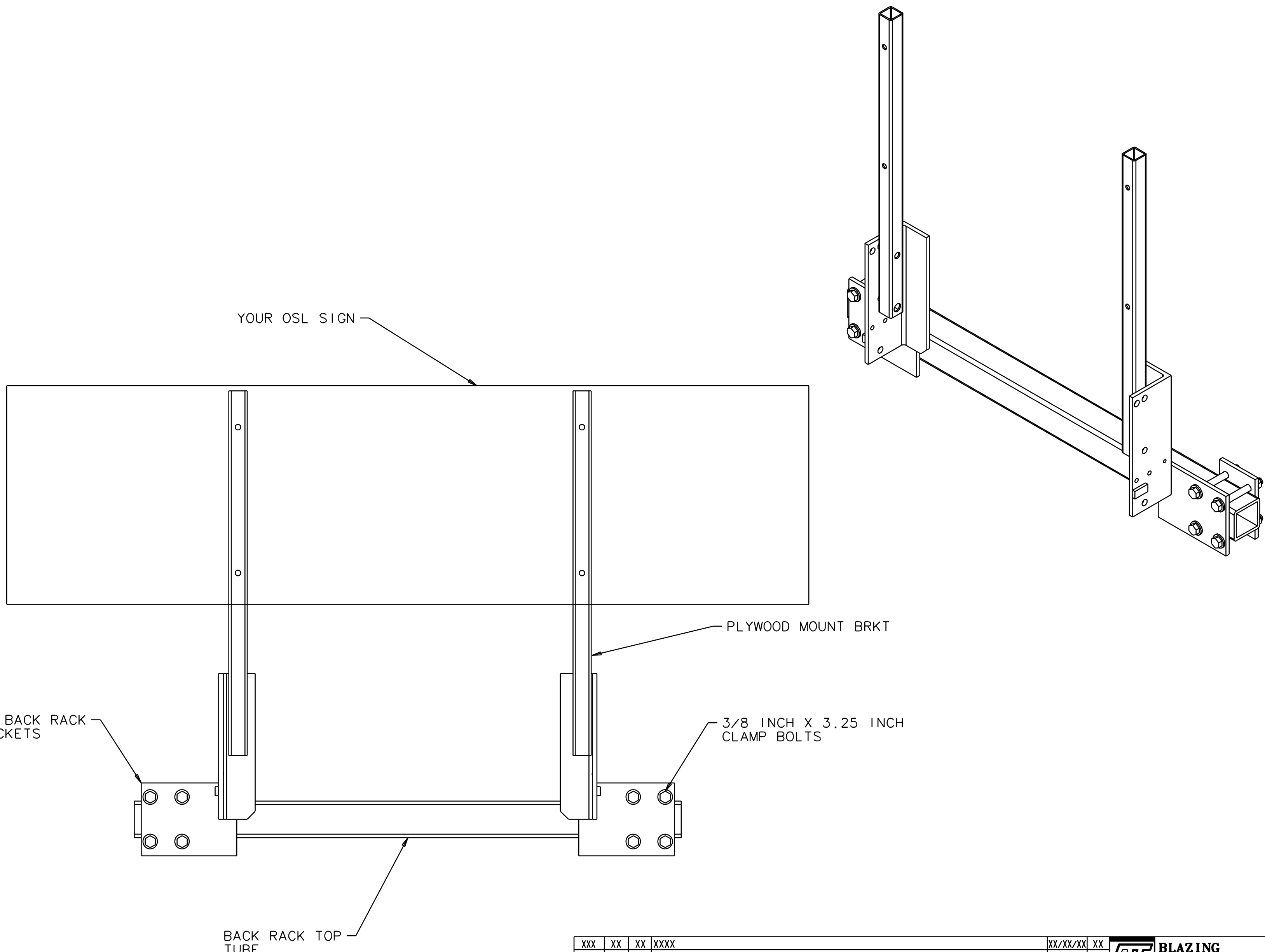
C

B

SH
01

A

A



BTI BACK RACK BRACKETS

YOUR OSL SIGN

PLYWOOD MOUNT BRKT

3/8 INCH X 3.25 INCH CLAMP BOLTS

BACK RACK TOP TUBE

XXX	XX	XX	XXXX	DESCRIPTION		XX/XX/XX	XX	BLAZING TECHNOLOGIES INC
ECN	ZONE	REV		REVISIONS		DATE	BY	
TOLERANCES:			ALL DIMENSIONS IN INCHES, UNLESS OTHERWISE SPECIFIED		3RD ANGLE PROJECTION	ALL WELDING SHALL CONFORM TO: ANSI/AWS D1.1-98 AND ANSI/AWS D1.2-97, OR ANSI/AWS-D14.3-94		
FRACTIONS	DECIMALS	ANGLES	DO NOT SCALE DRAWING			APPROVALS	DATE	TITLE
±1/16	.X= ±.1 .XX= ±.01 .XXX= ±.005	±.5°			MODEL (FIRST USED) 119200001			BACK RACK BRACKETS PLYWOOD MOUNTING BARS
THIS DRAWING IS PROPERTY OF BLAZING TECHNOLOGIES AND IS NOT TO BE REPRODUCED OR USED DIRECTLY OR INDIRECTLY IN ANY WAY DETRIMENTAL TO THE INTEREST OF BLAZING TECHNOLOGIES.					MAT'L SPEC. NUMBER	DRAWN		SIZE DWG NO.
					ACT. WT.	BLAZE	12/23/13	C 2-192-000051
					CALC. WT.	CHECKED	12/23/13	ECO PROTO SCALE 1 : 4
					XXXX	P. MILLER		SHEET 01 OF 01

DWG. NO.
2-192-000051

SH
01

4

3

2

1