

4

3

2

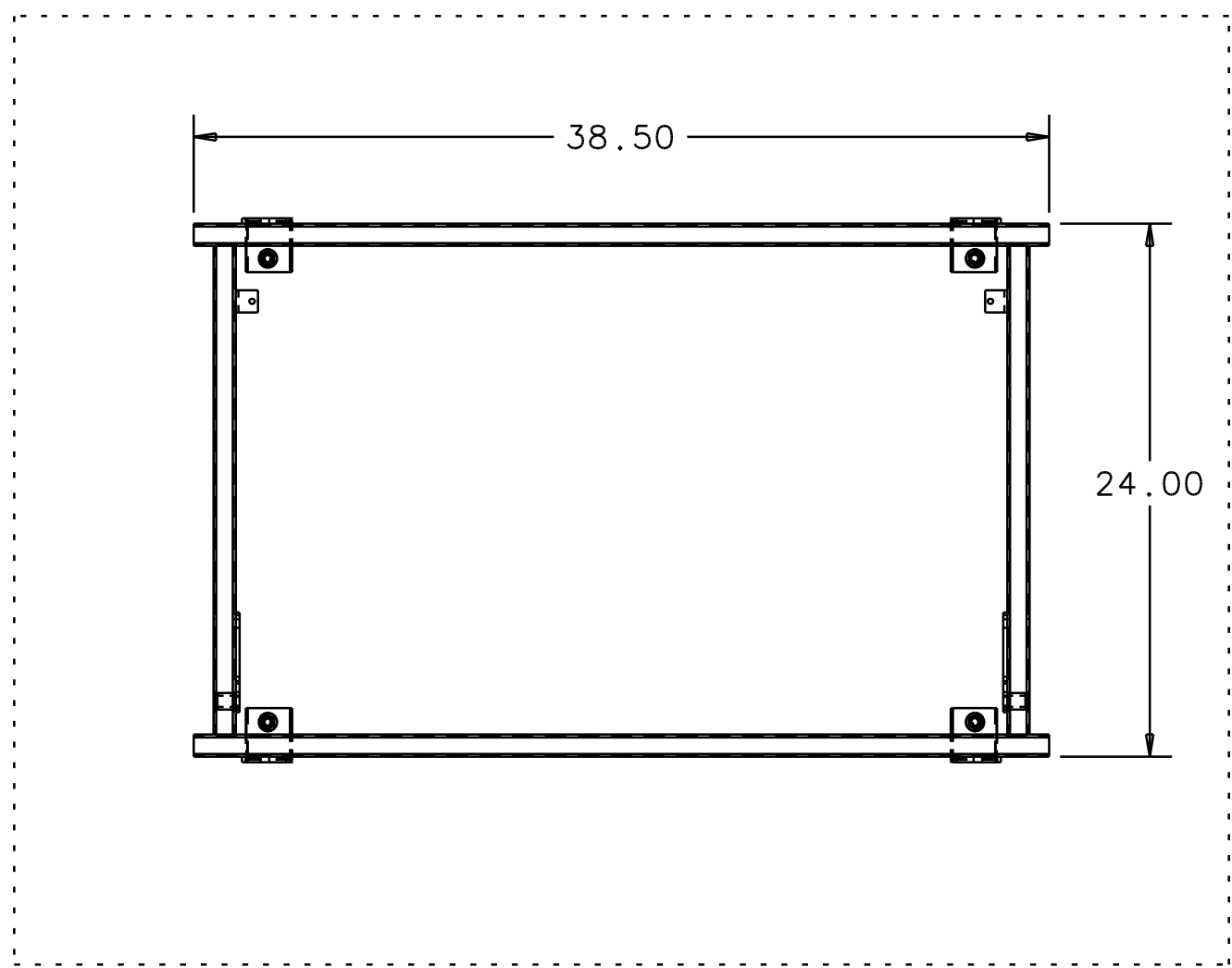
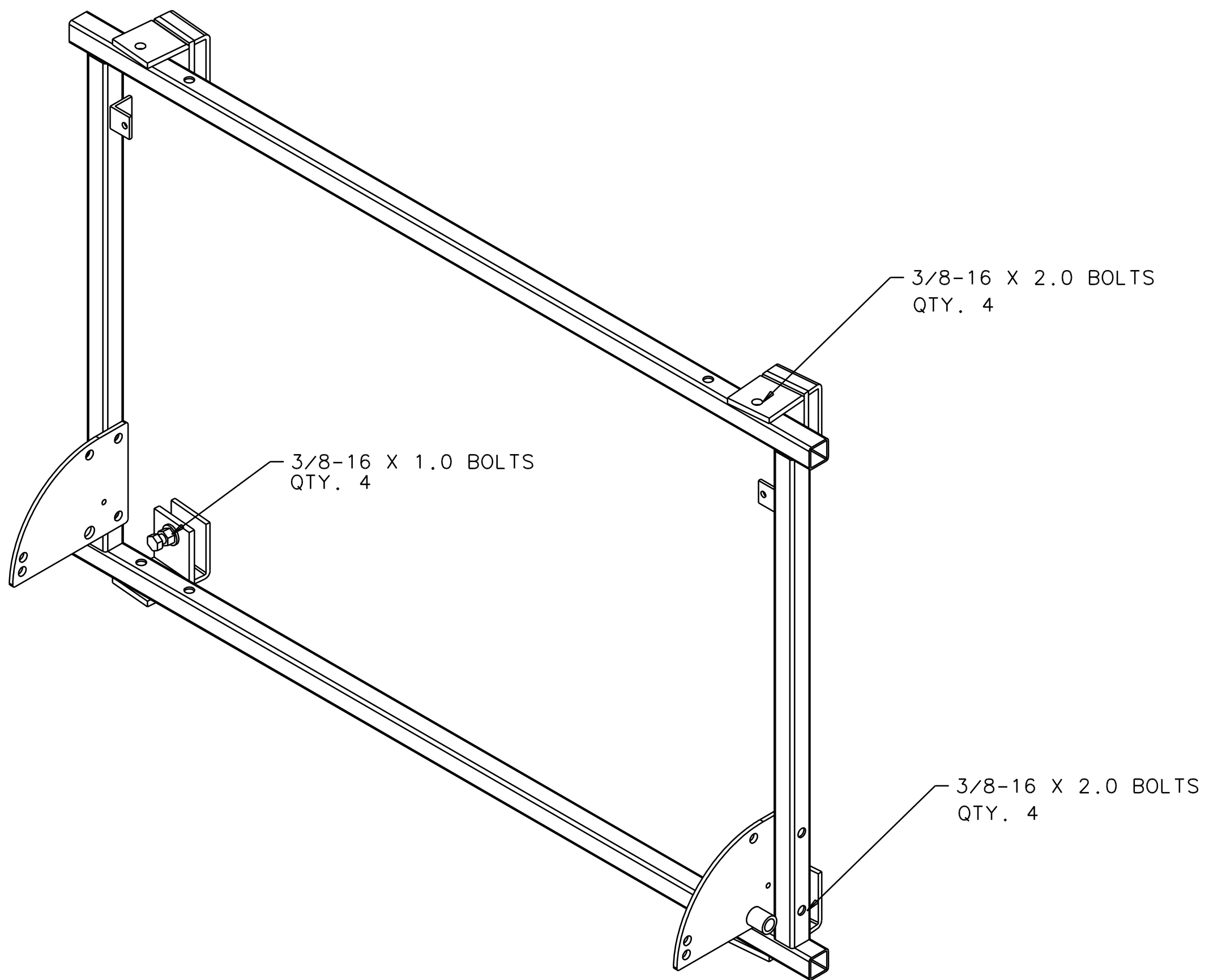
1

D

C

B

A



XXX	XX	XX	XXXX	DESCRIPTION		XX/XX/XX	XX	<b>BLAZING TECHNOLOGIES INCORPORATED</b>
ECN	ZONE	REV		REVISIONS		DATE	BY	
<b>TOLERANCES:</b> FRACTIONS    DECIMALS    ANGLES ±1/16        .X= ±.1        ±.5° .XX= ±.01 .XXX= ±.005				ALL DIMENSIONS IN INCHES, UNLESS OTHERWISE SPECIFIED DO NOT SCALE DRAWING		3RD ANGLE PROJECTION 		ALL WELDING SHALL CONFORM TO: ANSI/AWS D1.1-98 AND ANSI/AWS D1.2-97, OR ANSI/AWS-D14.3-94
THIS DRAWING IS PROPERTY OF BLAZING TECHNOLOGIES AND IS NOT TO BE REPRODUCED OR USED DIRECTLY OR INDIRECTLY IN ANY WAY DETRIMENTAL TO THE INTEREST OF BLAZING TECHNOLOGIES.				MODEL (FIRST USED) 118300007		APPROVALS        DATE DRAWN BLAZE                11/25/05 CHECKED J. WOLF                11/25/05		TITLE LOWER FRAME ASSEMBLY O.L. SIGN ASSY SIZE    DWG NO.    REV C    2-183-000034    #
ACT. WT.    CALC. WT. -            14.78 LBS				ECO 00519    SCALE 1 : 4    SHEET 01 OF 01				

4

3

2

1

7-1103-UUUUU

01