

4

3

2

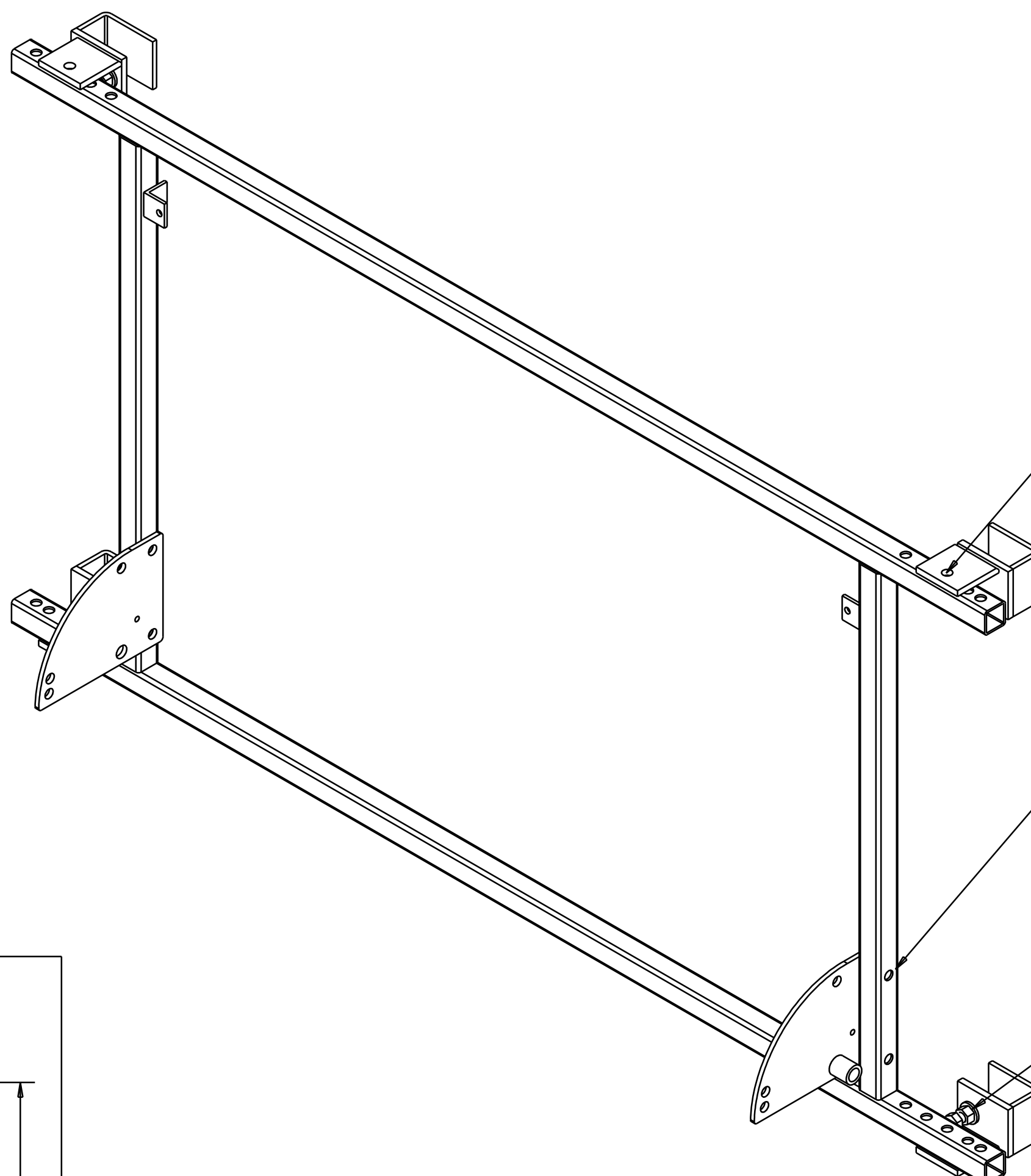
1

D

C

B

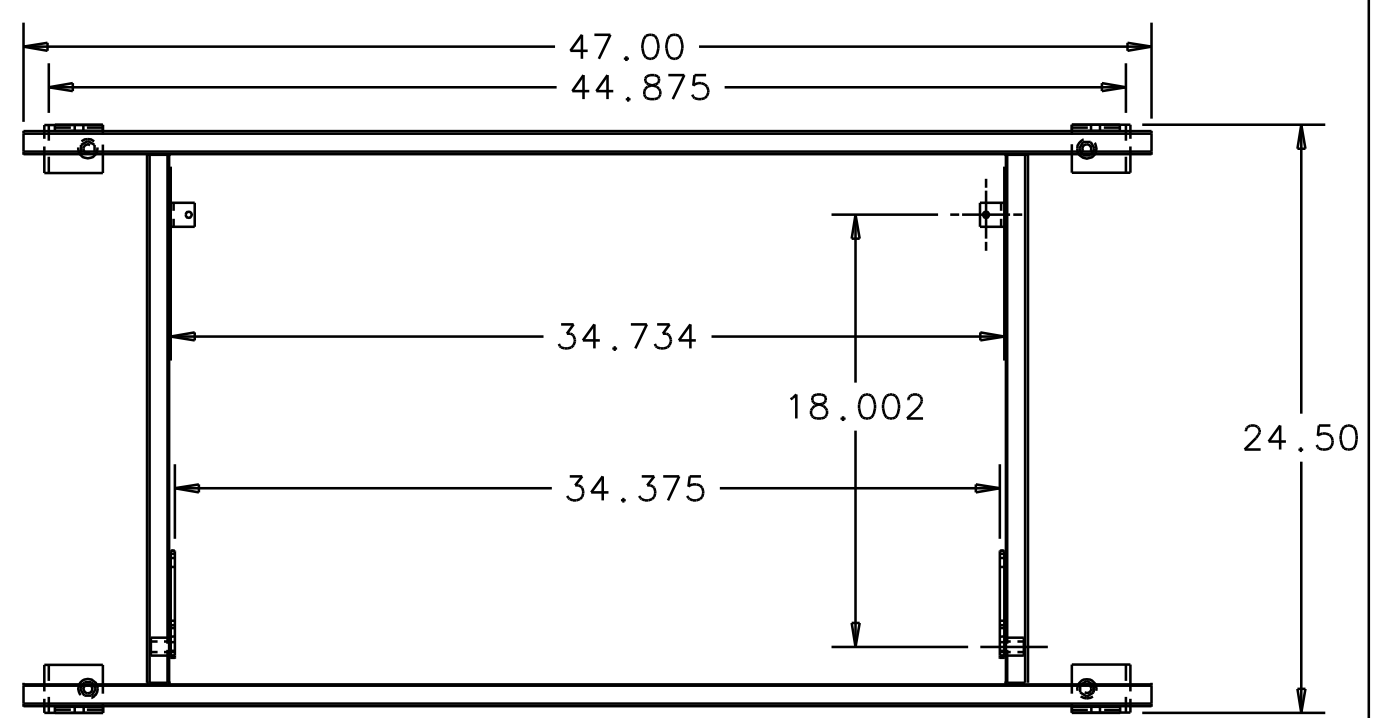
A



3/8-16 X 2.0 BC
 QTY. 4
 7115161650
 7950160151
 7660160001

3/8-16 X 2.0 BOLTS
 QTY. 4
 7115161650
 7950160151
 7660160001

3/8-16 X 1.0 BOLT
 QTY. 4
 7115160850



NOTE:
 FRAME ASSEMBLY IS BLACK POWDER COATED

PROTO	ALL	B	CHNG'D FRAME TO ACCOMODATE WIDER WIDTHS	11/19/07	BLZ
PROTO	ALL	A	CHNG'D FRAME TO ACCOMODATE VARYING WIDTHS	04/10/07	BLZ
ECN	ZONE	REV	DESCRIPTION	DATE	BY
REVISIONS					
TOLERANCES:			ALL DIMENSIONS	3RD ANGLE PROJECTION	ALL WELDING SHALL CONFORM TO:
FRACTIONS	DECIMALS	ANGLES	IN INCHES		ANSI/AWS D1.1-98 AND
±1/16	.XX± .01	±.5°	UNLESS OTHERWISE SPECIFIED		ANSI/AWS D1.2-97, OR
			DO NOT SCALE DRAWING	APPROVALS	DATE
			THIS DRAWING IS PROPERTY OF BLAZING TECHNOLOGIES AND IS NOT TO BE REPRODUCED OR USED DIRECTLY OR INDIRECTLY IN ANY WAY DETRIMENTAL TO THE INTEREST OF BLAZING TECHNOLOGIES.	MODEL (FIRST USED)	DATE
				1183000012	12/02/06
				MAT'L SPEC. NUMBER	DRAWN
				-	BLAZE
				ACT. WT.	CHECKED
				-	F. SHIMER
				CALC. WT.	DATE
				18.71 LBS	12/02/06

BLAZING TECHNOLOGIES INCORPORATED		
TITLE		
LOWER FRAME ASSEMBLY SIDE MOUNT		
SIZE	DWG NO.	REV
C	2-183-000061	B
ECO 00519	SCALE 1 : 4	SHEET 01 OF 01

4

3

2

1